



Vacuum Manifold

The EluVac Vacuum Manifold allows simultaneous manual processing of up to 20 samples with the possibility of applying vacuum.



EluVac, Vacuum Manifold

20 samples simultaneously, vacuum regulation unit, beaker / central drain tube, tubing, 20 valves, 20 plugs, manual. Delivered without vacuum pump, without consumables.

Part-number: 11048



Holder for EluVac

For up to 10 sample reservoirs (P/N 10896, 9370-1)

Part-number: 11098

Collection EluVac Rack

Part-number:



For **2 mL** Eppendorf tubes / 20 samples simultaneously

14274



For **4 mL** vials (P/N V0004) / 20 samples simultaneously

11105



For **5 mL** volumetric flasks, ground joint NS 11/19 samples simultaneously

14191



For **8 mL** vials / 10 samples simultaneously

13697



For **15 mL** Starstedt tubes / 20 samples simultaneously

14275



For **60 mL** bottles (P/N F060) / 10 samples simultaneously

11118



For **120 mL** bottles (P/N F100-D) / 10 samples simultaneously

12767

For sample collection in max. 6 pear shaped rotary evaporator flasks. For usage in combination.



Holder

For up to 6 sample reservoirs - on top

Part-number: 11560



Collection Rack

For 100 mL pear shaped rotary evaporator bottles, NS 29/32 (P/N 11106)

Part-number: 11112

Pear shaped rotary evaporator bottles

NS 29/32 (P/N 11106)

Part-number: 11106



ME 2 NT, Diaphragm Pump

Part-number:

One stage, 230V / 50-60 Hz, **13041**
CEE Cable certification (NRTL): C/US

One stage, 230V / 50-60 Hz, **13207**
UK Cable certification (NRTL): C/US

One stage, 110-115V / 50-60 Hz **13208**
US Cable certification (NRTL): C/US



ME 2C NT, Diaphragm Pump

Part-number:

One stage, "Chemistry", 230 V, 50-60 Hz, **13042**
CEE Cable certification (NRTL): C/US

One stage, "Chemistry", 230 V, 50-60 Hz, **13209**
UK Cable certification (NRTL): C/US

One stage, "Chemistry", 110-115 V, 50-60 Hz, 120 V, 60 Hz, **13210**
US Cable certification (NRTL): C/US



Adapter / Reduction Insert

Suitable for collection rack (P/N 11105) for 4 mL vials to 1 mL GC-vials

Part-number: 12820



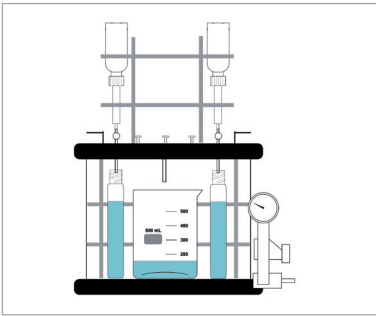
Bottle, Coated, 10 L

With special screw cap and 2 m tubing

Part-number: F10000B



Application Packages for Vacuum Manifold



Suitable for...

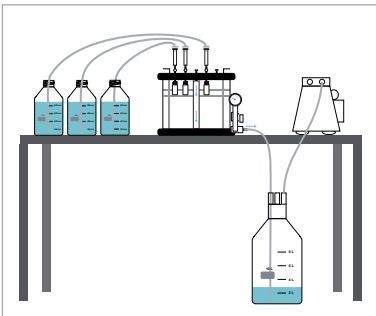
applications of up to 60 mL elution volume e.g. for the determination of the **hydrocarbon index** according to EN ISO 9377-2 (also known as the H53 method).

Matching Packages:

EluVac, Vacuum Manifold Package

20 samples simultaneously, consists of: EluVac - vacuum manifold (P/N 11048), sample rack (P/N 11098), and collection rack for 60 mL bottles (P/N 11118)

Part-number: 11146

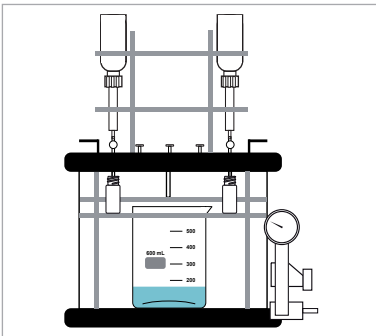


large volume samples e.g. PFAS applications.

EluVac, Vacuum Manifold Package

For high sample volume, e.g. water, milk, etc. 20 samples simultaneously, for high sample, consists of: EluVac - vacuum manifold (P/N 11048), collection rack of 4 mL vials (P/N 11105), 10 SPE-column-adapters with PTFE-tube (P/N 19379), 10 SPE-column adapters with 1,5 m PE tube (P/N 19380) additionally for **PFAS application** and Woulff's bottle, 10 L (P/N F10000B)

Part-number: 11739

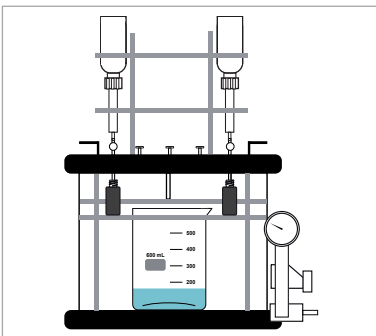


applications with an elution volume of up to 4 mL e.g. **mycotoxin sample** preparation.

EluVac, Vacuum Manifold Package

20 samples simultaneously, consists of: EluVac - vacuum manifold (P/N 11048), sample rack (P/N 11098), and collection rack for 4 mL vials (P/N 11105)

Part-number: 12415

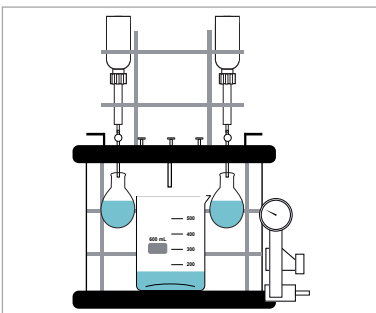


applications with **low elution volume** up to 1 mL.

EluVac, Vacuum Manifold Package

20 samples simultaneously, consists of: EluVac - vacuum manifold (P/N 11048), collection rack (P/N 11098), and collection rack for 4 mL vials (P/N 11105), and sample rack (P/N 11098) 20 adapters/reduction insert for 1 mL GC-vials (P/N 12820)

Part-number: 12856



applications of up to 100 mL elution volume in **rotary evaporator bottles**.

EluVac, Vacuum Manifold Package

20 samples simultaneously, consists of: EluVac - vacuum manifold (P/N 11048), sample rack (P/N 11560), collection rack for pear rotary evaporator bottles (P/N 11112), and 6 pear shaped rotary evaporator 100 mL bottles (P/N 11106)

Part-number: 11147

Please note that columns, bottles and reservoirs have to be ordered additionally